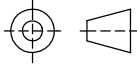


DRAWING NUMBER

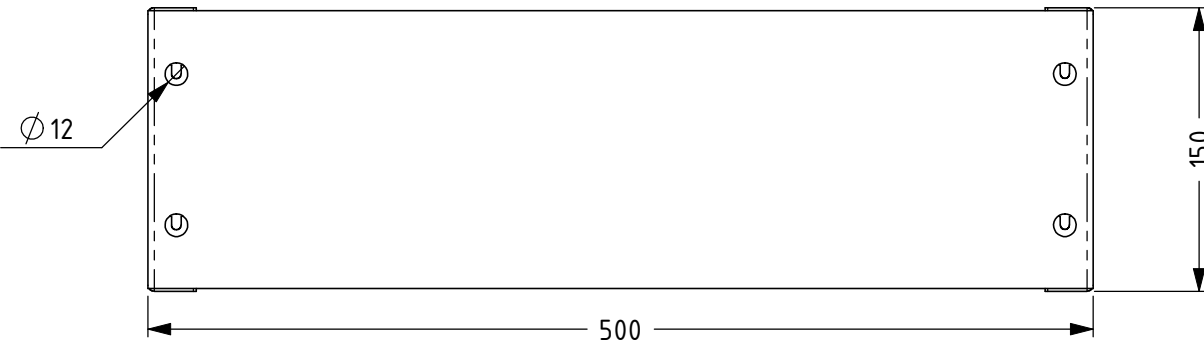
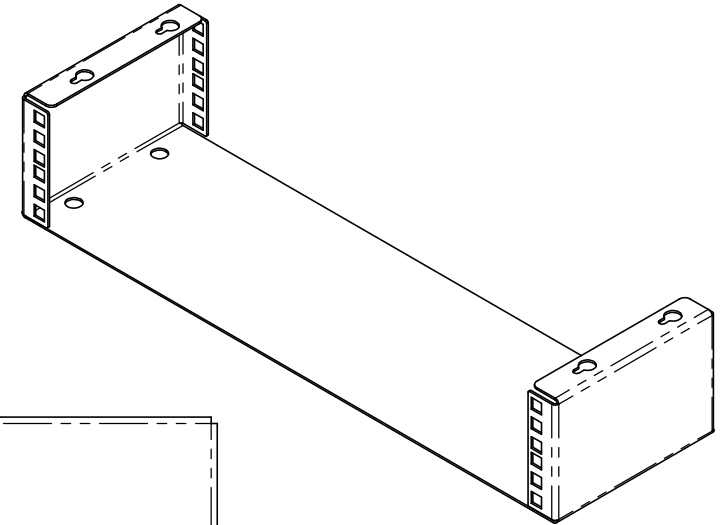
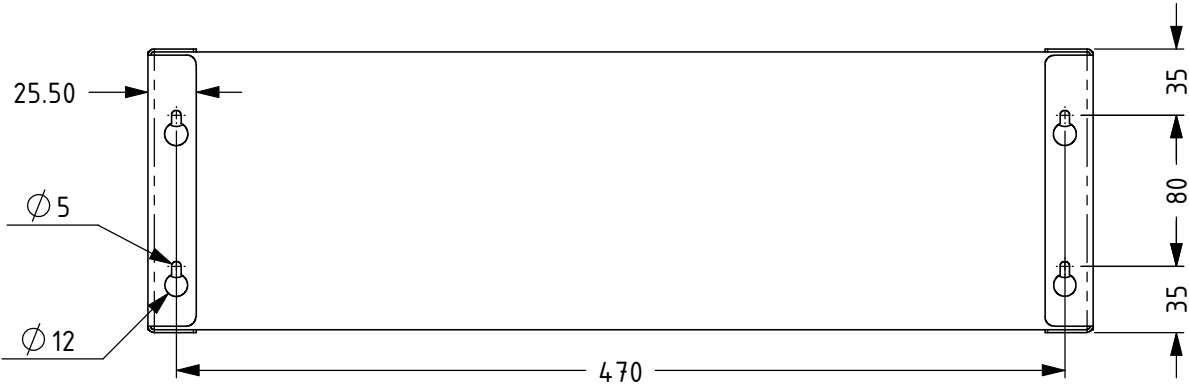
R2510

THIRD ANGLE PROJECTION



ISS.	DESCRIPTION	DRAWN	CHK'D	APP'D
		DATE	DATE	DATE
A	INITIAL ISSUE	CAJH 26.3.08		

A USED ON



Part	Height (L)
R2510-1U	55.8
R2510-2U	100
R2510-3U	144.8
R2510-4U	188.9

MATERIAL
1.5mm STEEL

FINISH
BLACK

TOLERANCES
UNLESS OTHERWISE STATED
LINEAR ANGULAR
X.X ±0.5 X ±0.5°
X.XX ±0.1 X.X ±0.1°

ALL DIMENSIONS IN mm
SCALE **1:4**

CUSTOMER
WORKS

TITLE
RACK MOUNT WALL BRACKET



THIS DOCUMENT CONTAINS INFORMATION PROPRIETARY TO PENN ELCOM LTD. AND SHALL NOT BE REPRODUCED NOR TRANSFERRED TO OTHER DOCUMENTS NOR DISCLOSED TO A THIRD PARTY OR USED FOR ANY PURPOSE OTHER THAN FOR WHICH IT IS FURNISHED WITHOUT THE WRITTEN PERMISSION OF PENN ELCOM LTD.

DRAWING NUMBER
R2510

SHEET
No. 1
OF 1

A
4